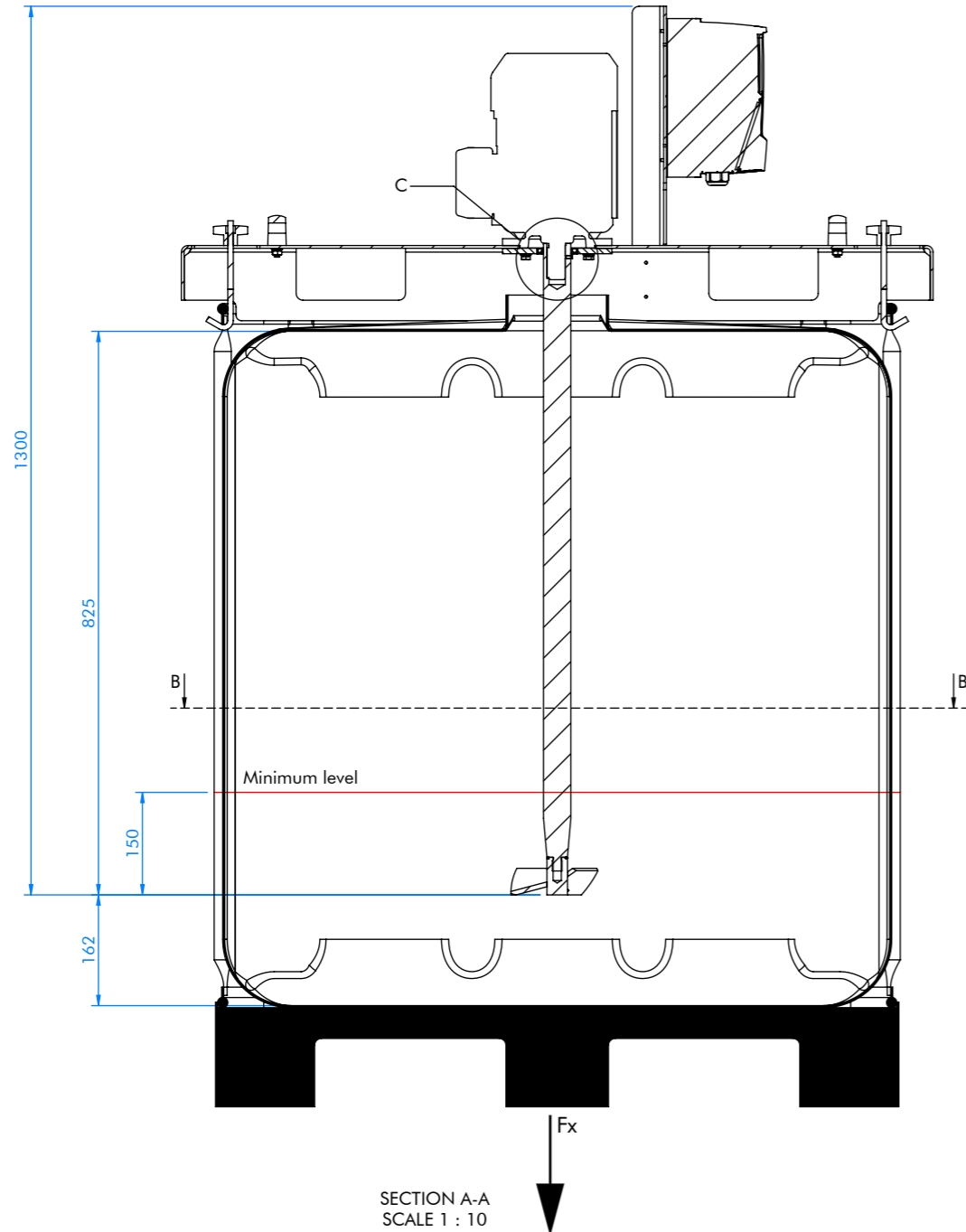
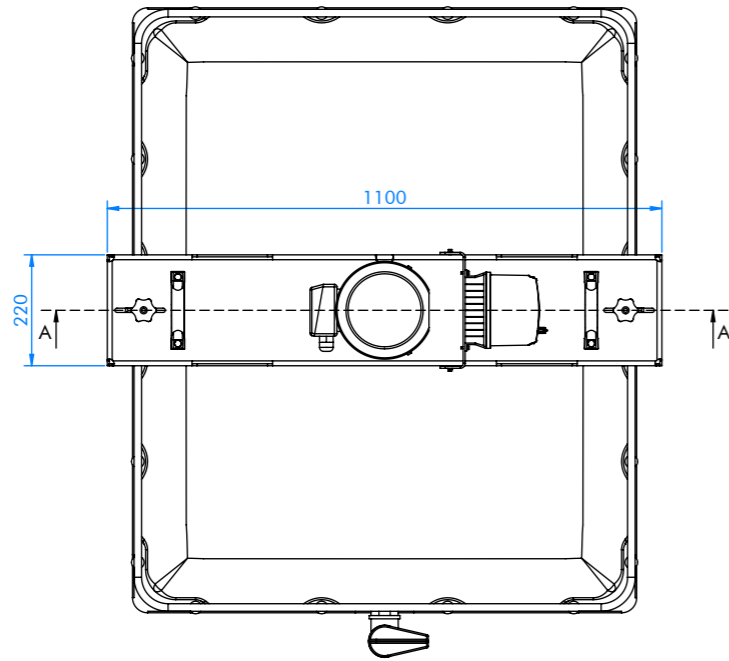
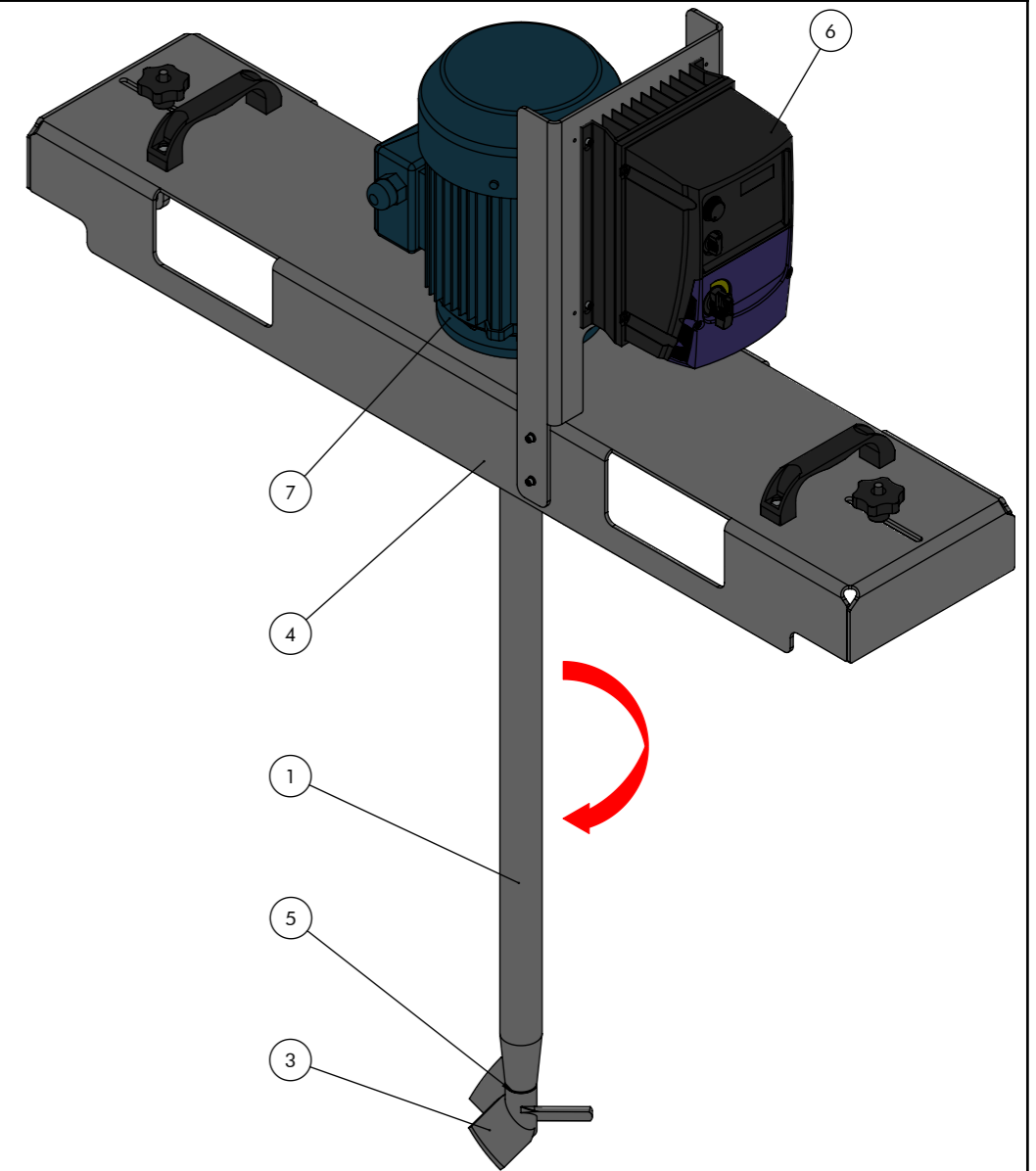
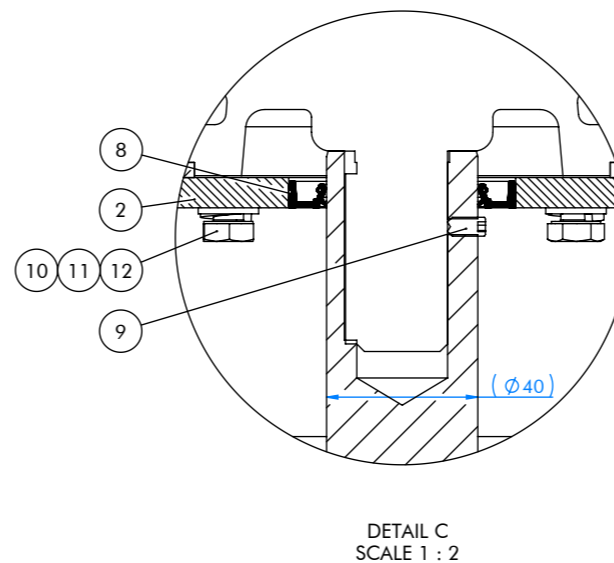
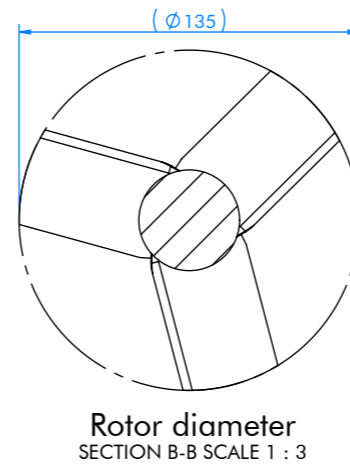


Technical data agitator/mixer		
Description	Type	
Power	1,1	kW
Speed	1440	r.p.m.
Electrical current	400	V
Frequency	50	Hz
Critical frequency	-	Hz
Torque	7,3	Nm
Force Fx	466.5	N
Weight	47.55	kg
Finish	0,8/-/3,2	µm
Colour	5009	Ral



SECTION A-A
SCALE 1 : 10



Comes with 16A 5-pin plug and 5m cable

Item No.	Qty.	Drawing Nr.	Rev.	Description	Material
1	1	614175.07	-	SB Mixing shaft	316L
2	1	619308.01	-	Sealing flange Bgr. 4	304
3	1	619309.02	-	Rotor Bgr.3	
4	1	719099.00	-	IBC Crossbar	
5	1	818003.00	-	O-ring.	FKM
6	1	819001.12	-	Frequency inverter	-
7	1	819002.11	-	Electric motor	-
8	1	819003.107	-	Oil seal	FKM
9	1	819004.183	-	Hex socket set screw	A2-70
10	4	819004.42	-	Washer	A2
11	4	819004.53	-	Spring washer	A2
12	4	819004.82	-	Hex bolt	A2-70



ISO 1302 Roughness unless otherwise specified: $\sqrt{Ra\ 3.2}$ Specified roughnesses: Ra in µm	ISO 13715 Undefined edges: $\sqrt{0.4}$ $\sqrt{0.2}$	ISO 2768-mK Linear dimensions: ≥ 0.5 - 3 ±0.1 ≥ 3 - 6 ±0.1 ≥ 6 - 30 ±0.2 ≥ 30 - 120 ±0.3 ≥ 120 - 400 ±0.5 ≥ 400 - 1000 ±0.8 ≥ 1000 - 2000 ±1.2 ≥ 2000 - 4000 ±2
ISO 8015 Drawing standard	Created by: PS 10-01-2022	Based on:
ISO 1101 Geometric tolerances	Approved by: TK 11-01-2022	Weight: 47.55 kg

IBC mixer with flange
SB 1100 L/4 - FR

719078.01

REV A3

Operation: Assembly	Scale: 1:15
Material:	Sheet 3 of 4