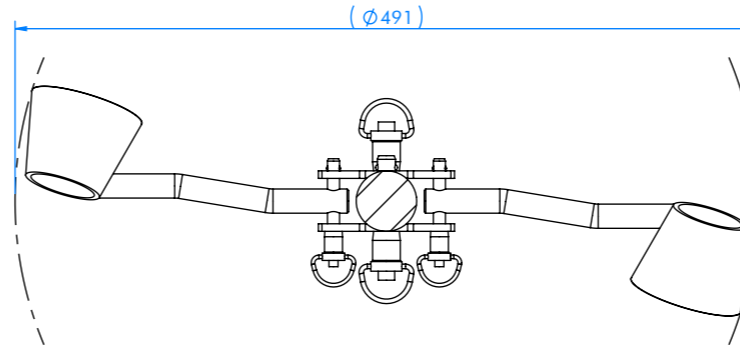
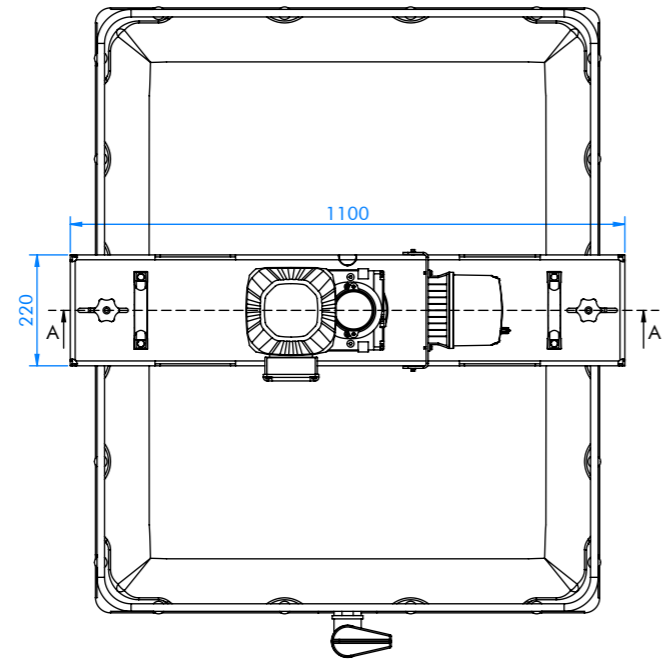
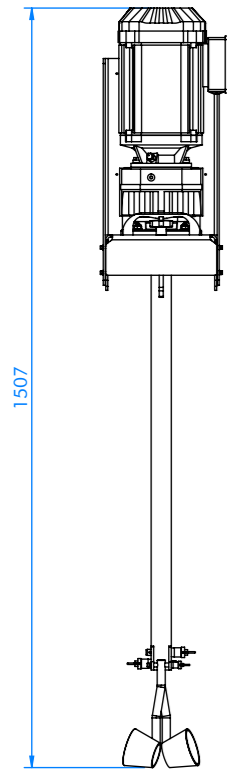
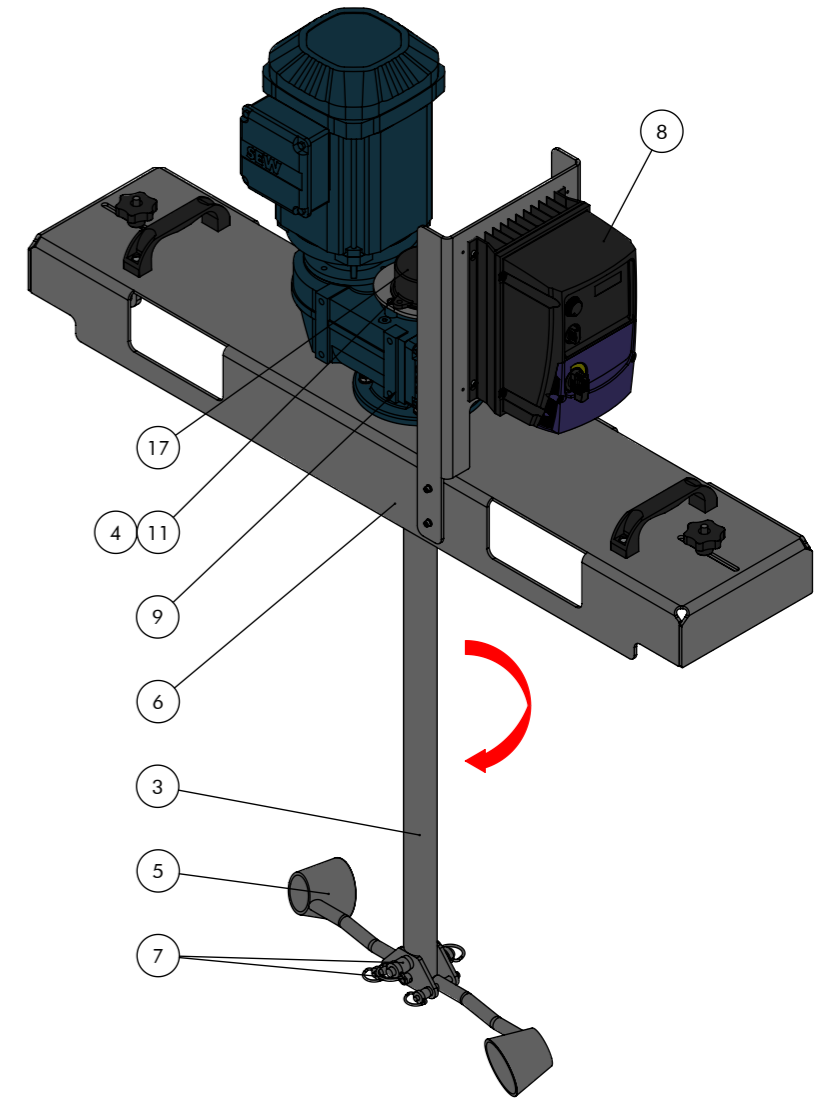


Technical data agitator/mixer		
Description	Type	
Power	1,5	kW
Speed	299	r.p.m.
Electrical current	400	V
Frequency	50	Hz
Critical frequency	n.t.b.	Hz
Torque	48	Nm
Force Fx	684.1	N
Weight	69.73	kg
Finish	0,8/-/3,2	μm
Colour	5009	Ral

Length folded:

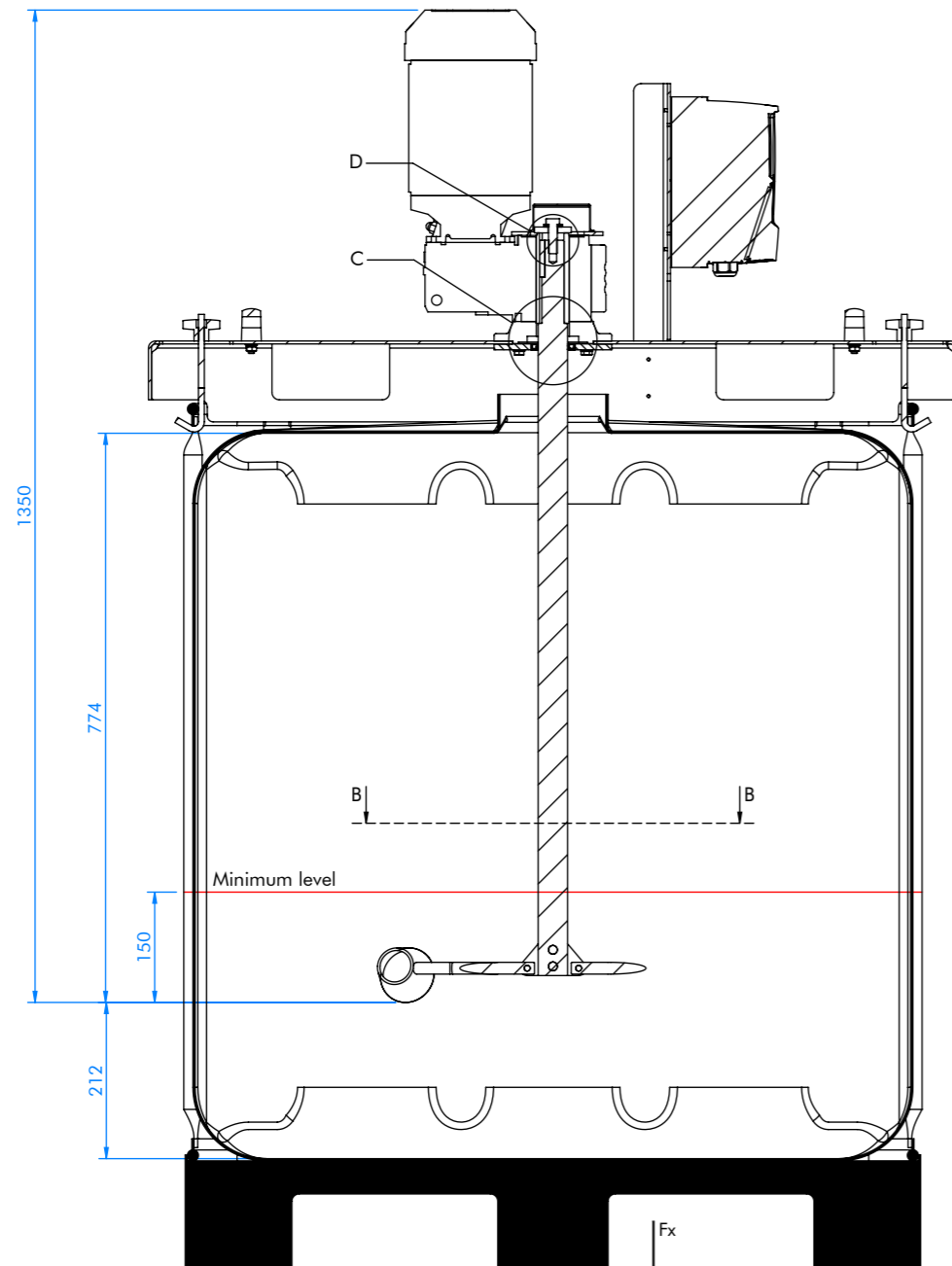


Rotor diameter  
SECTION B-B  
SCALE 1 : 5

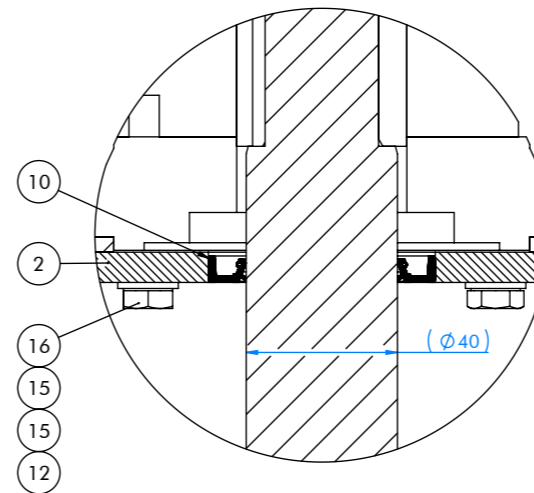


Comes with 16A 5-pin plug and 5m cable

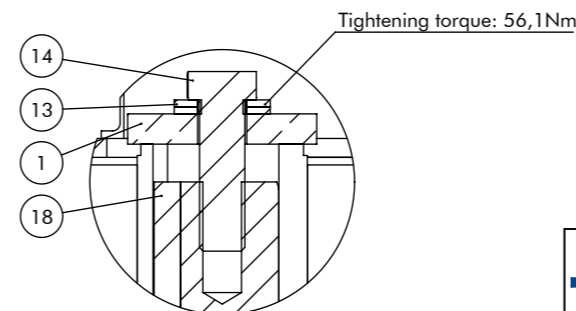
Item No.	Qty.	Drawing Nr.	Rev.	Description	Material
1	1	619152.01		Infill barrier	Alu
2	1	619308.01		Sealing flange Bgr. 4	304
3	1	619316.01		CKRW Agitator shaft	316
4	1	619322.01		Shim washer FAF37	304
5	1	719085.01		Flap-cup agitator	
6	1	719099.00		IBC Crossbar	
7	2	818004.100		Self-locking pin	316
8	1	819001.12	-	Frequency inverter	-
9	1	819002.08	-	Geared motor	-
10	1	819003.107	-	Oil seal	FKM
11	2	819004.157		Countersunk hex socket bolt	A2-70
12	4	819004.20		Locknut	A2
13	1	819004.207		Heico lock	A4-70
14	1	819004.223	-	Hex bolt	A2-70
15	8	819004.42		Washer	A2
16	4	819004.83		Hex bolt	A2-70
17	1	819005.05		Protective cover FAF37	Plastic
18	1	819013.07		Parallel key	C45



SECTION A-A  
SCALE 1 : 10



DETAIL C  
SCALE 1 : 2



DETAIL D  
SCALE 1 : 2

<b>GRONFA</b> PROCESTECHNIEK www.gronfa.com		ISO 2768-mK Linear dimensions: ≥ 0.5 - 3 ±0.1 ≥ 3 - 6 ±0.1 ≥ 6 - 30 ±0.2 ≥ 30 - 120 ±0.3 ≥ 120 - 400 ±0.5 ≥ 400 - 1000 ±0.8 ≥ 1000 - 2000 ±1.2 ≥ 2000 - 4000 ±2
ISO 1302 Roughness unless otherwise specified: $\sqrt{Ra\ 3.2}$ Specified roughnesses: Ra in μm	ISO 13715 Undefined edges: $\sqrt{Rz\ 0.2}$	ISO 8015 Drawing standard
Created by: PS 10-01-2022	Approved by: TK 11-01-2022	Based on:
Weight: 69.73 kg	Material:	Operation: Assembly

IBC agitator with flange  
CKRW 1500/290/4 - FR

719082.01

REV A3

Scale: 1:15

Sheet 3 of 4