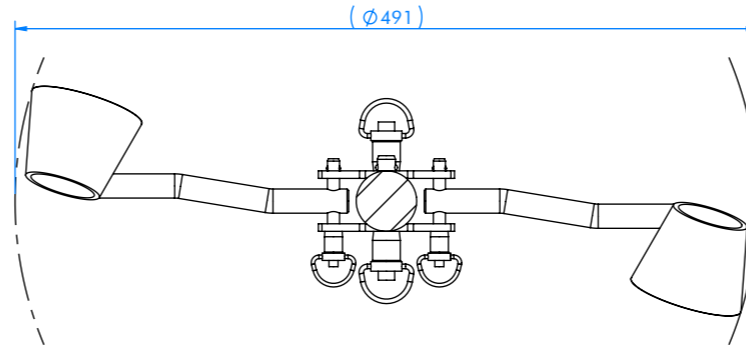
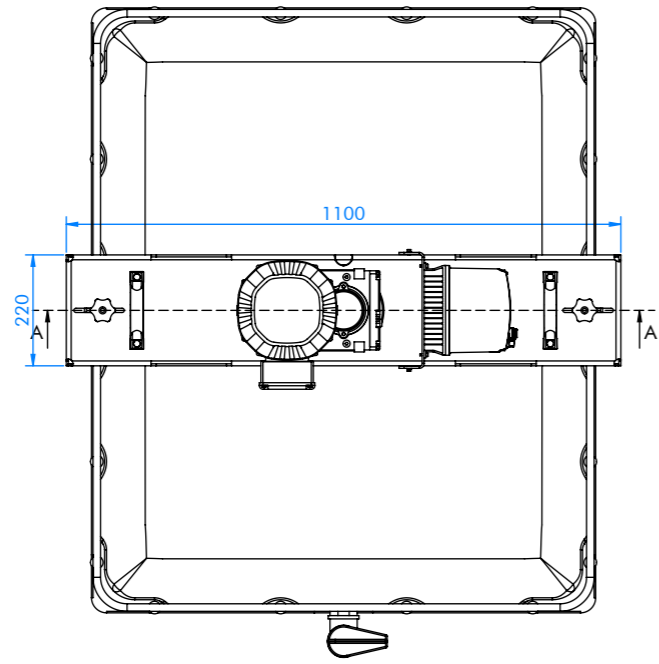
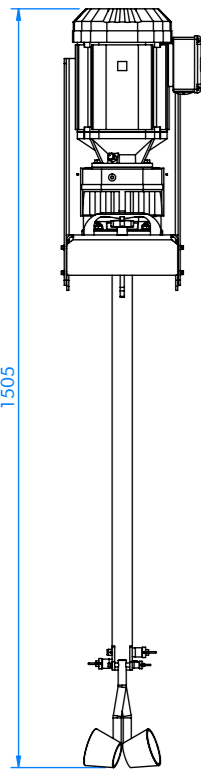
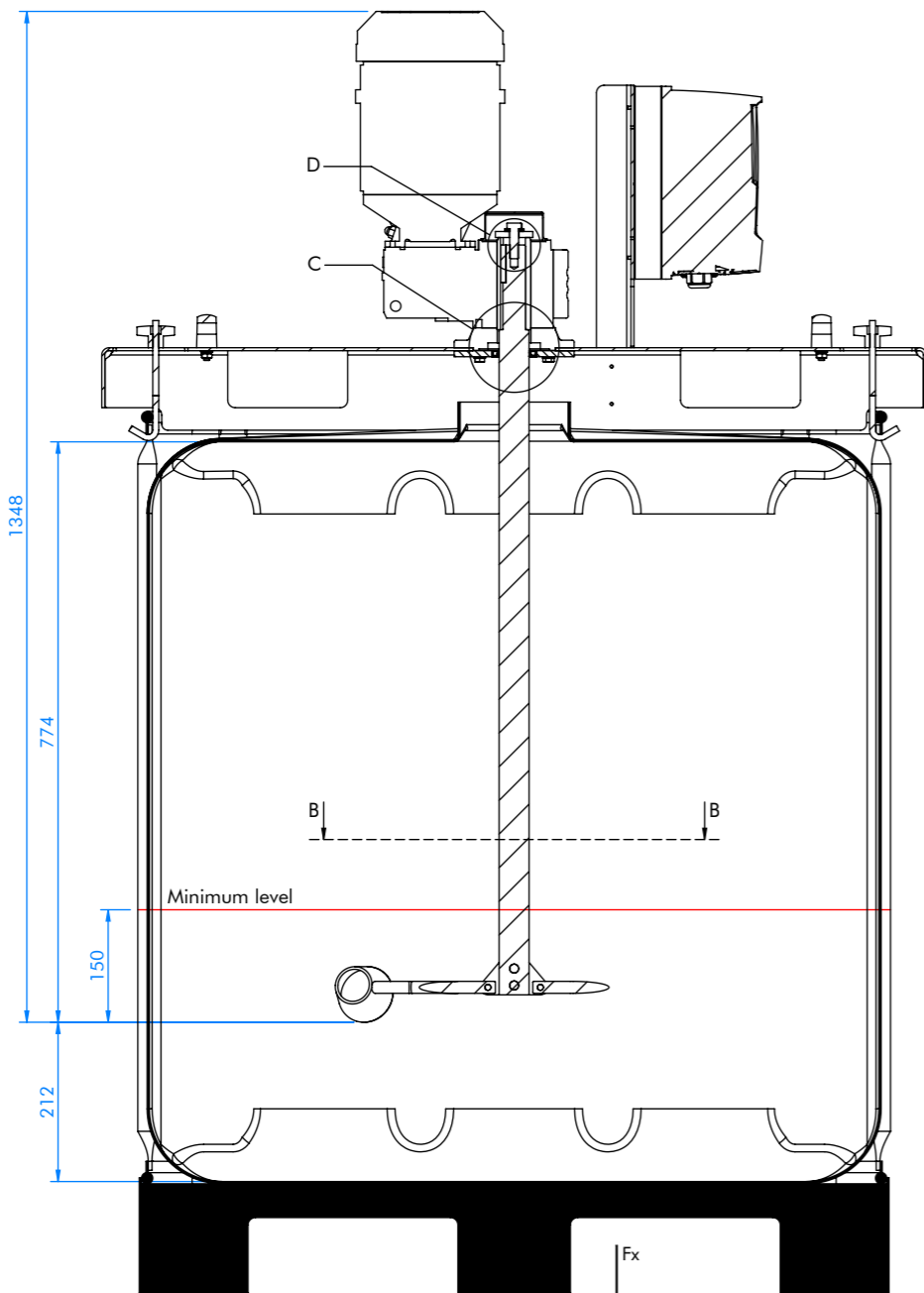
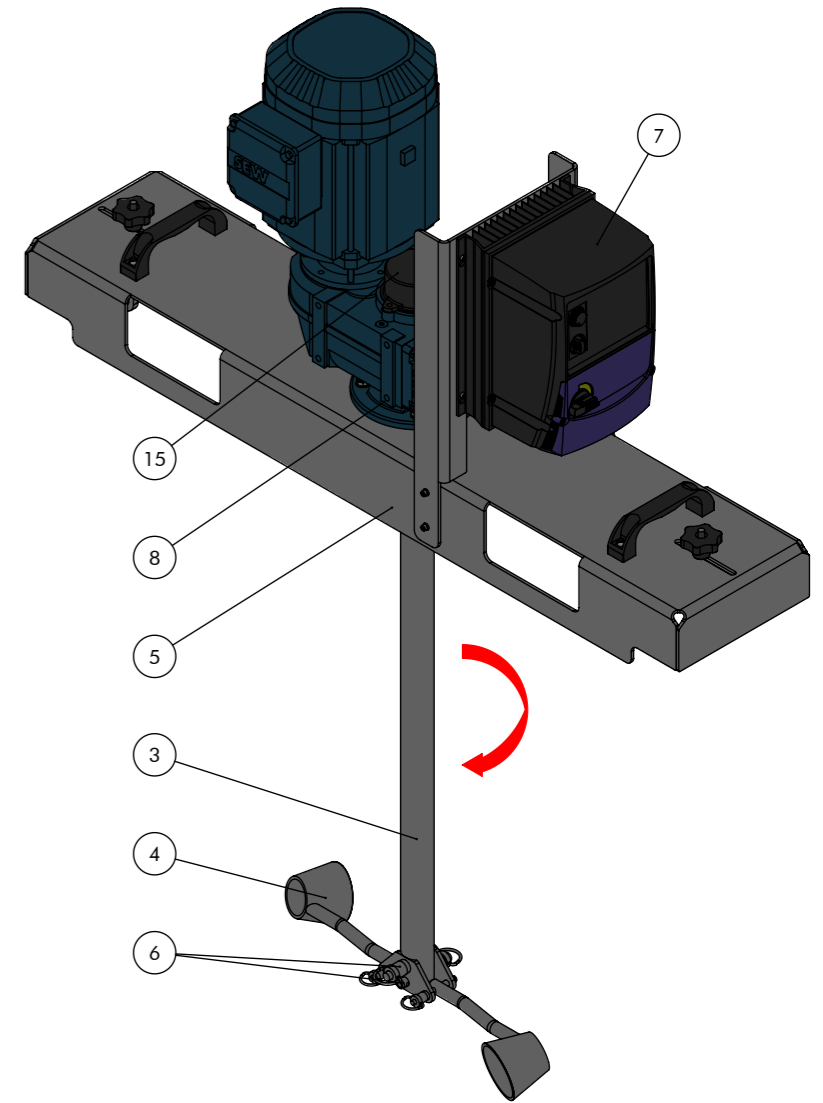


Technical data agitator/mixer		
Description	Type	
Power	2,2	kW
Speed	296	r.p.m.
Electrical current	400	V
Frequency	50	Hz
Critical frequency	n.t.b.	Hz
Torque	71	Nm
Force Fx	729.6	N
Weight	74.37	kg
Finish	0,8/-/3,2	μm
Colour	5009	Ral

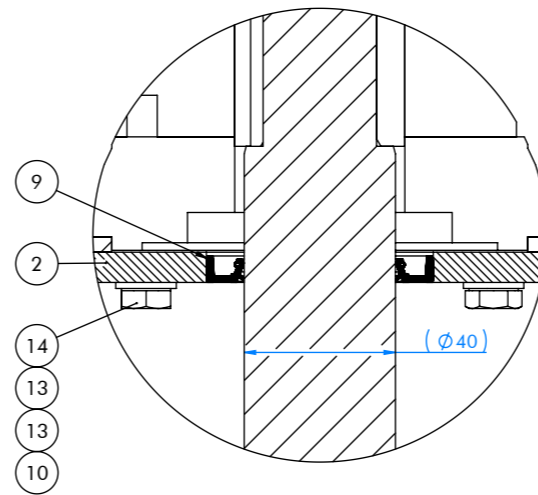
Length folded:



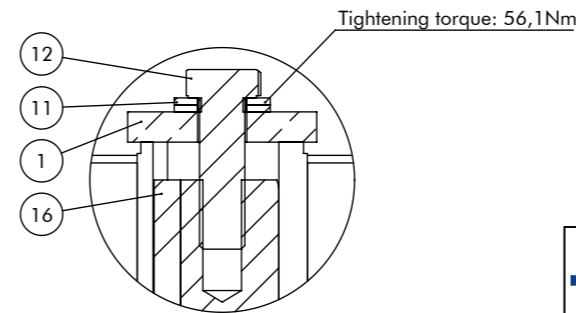
Rotor diameter
SECTION B-B
SCALE 1 : 5



SECTION A-A
SCALE 1 : 10



DETAIL C
SCALE 1 : 2



DETAIL D
SCALE 1 : 2

Comes with 16A 5-pin plug and 5m cable

Item No.	Qty.	Drawing Nr.	Rev.	Description	Material
1	1	619152.01		Infill barrier	Alu
2	1	619308.01		Sealing flange Bgr. 4	304
3	1	619316.01		CKRW Agitator shaft	316
4	1	719085.01		Flap-cup agitator	
5	1	719099.00		IBC Crossbar	
6	2	818004.100		Self-locking pin	316
7	1	819001.14	-	Frequency inverter	-
8	1	819002.09	-	Geared motor	-
9	1	819003.107	-	Oil seal	FKM
10	4	819004.20		Locknut	A2
11	1	819004.207		Heico lock	A4-70
12	1	819004.223	-	Hex bolt	A2-70
13	8	819004.42		Washer	A2
14	4	819004.83		Hex bolt	A2-70
15	1	819005.05		Protective cover FAF37	Plastic
16	1	819013.07		Parallel key	C45

GRONFA
PROCESTECHNIEK
www.gronfa.com

ISO 1302
Roughness unless otherwise specified: $\sqrt{Ra\ 3.2}$
Specified roughnesses:
Ra in μm

ISO 13715
Undefined edges:
 $\sqrt{Ra\ 0.2}$

ISO 8015
Drawing standard

ISO 1101
Geometric tolerances

ISO 2768-mK
Linear dimensions:
 $\geq 0.5 - 3 \pm 0.1$
 $\geq 3 - 6 \pm 0.1$
 $\geq 6 - 30 \pm 0.2$
 $\geq 30 - 120 \pm 0.3$
 $\geq 120 - 400 \pm 0.5$
 $\geq 400 - 1000 \pm 0.8$
 $\geq 1000 - 2000 \pm 1.2$
 $\geq 2000 - 4000 \pm 2$

IBC agitator with flange
CKRW 2200/290/4 - FR

719083.01	REV	A3
Created by: PS 11-01-2022	Based on:	Operation: Assembly
Approved by: TK 11-01-2022	Weight: 74.37 kg	Material:
		Sheet 3 of 4